

SCARA ROBOT THL SERIES

Safety warnings

- Before using, read through and completely understand the appropriate instruction manuals.
- The contents of this catalog may be subject to change without prior notice.

TOSHIBA MACHINE CO., LTD. TOKYO MAIN BRANCH
Export Sales Group, Control System Sales Department,
Control System Division
2-2, Uchisaiwaicho 2-Chome, Chiyoda-ku, Tokyo 100-8503, Japan
TEL:[81]-(0)3-3509-0362 FAX:[81]-(0)3-2509-0335

TOSHIBA MACHINE CO., AMERICA.
755 Greenleaf Avenue, Elk Grove Village, IL 60007, U.S.A.
TEL:[1]-847-593-1616 FAX:[1]-847-593-0897

TM ROBOTICS [EUROPE] LTD.
Unit 2, Bridge Gate Centre, Martinfeld,
Welwyn Garden City, Herts, AL7 1JG UK
TEL:[44]- (0)1707-290370 FAX:[44]- (0)1707-376662

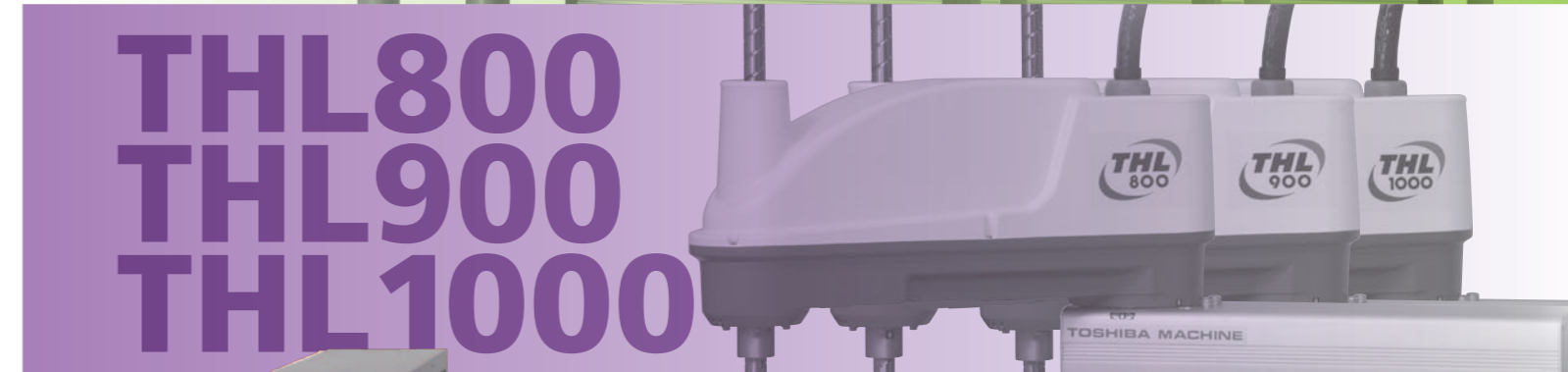
TOSHIBA MACHINE NUMAZU PLANT

Toshiba Machine Co., Ltd.
Control Systems Division

Head Office: 2068-3, Ooka, Numazu-shi, Shizuoka-ken 410-8510, Japan
TEL:[81]-(0)55-926-5032 FAX:[81]-(0)55-926-6527

Website ULR <http://www.toshiba-machine.co.jp>

Distributor



Controller
TSL3000

Achieving Reliable Quality and Superior Performance

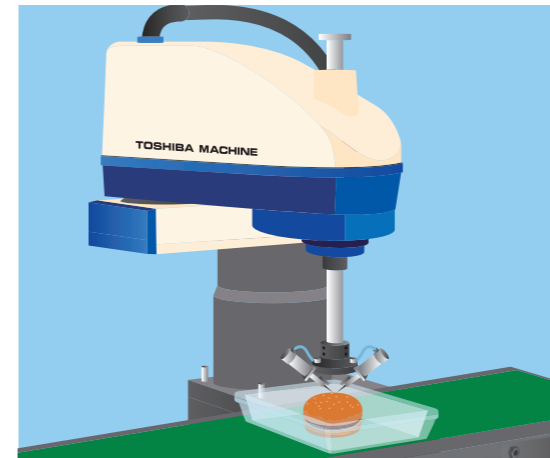
SCARA ROBOT THL Series

Low cost
Impressive performance at affordable prices.

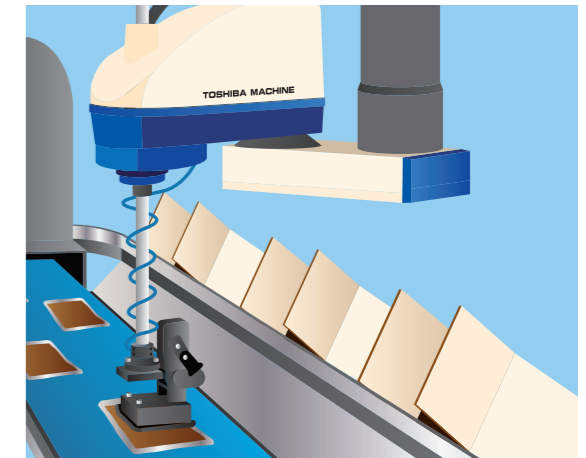
Light-weight
Maximum weight reduction of about 60% has been achieved in comparison with our current. Models Capable of reducing environmental impact.

Energy-efficient
Maximum power consumption reduction of about 70% has been achieved in comparison with our current models. Low-power consumption robots ideal for energy conservation era.

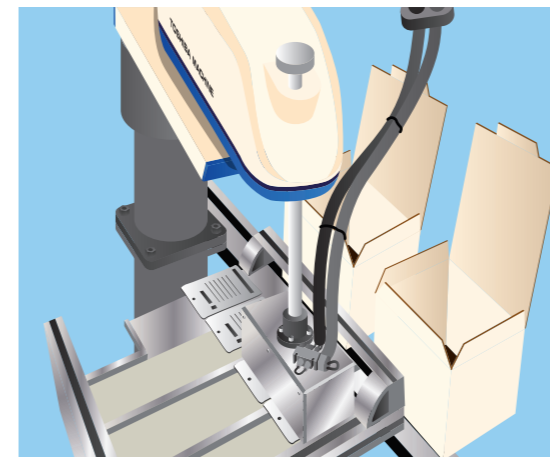
Examples of Application and Adoption



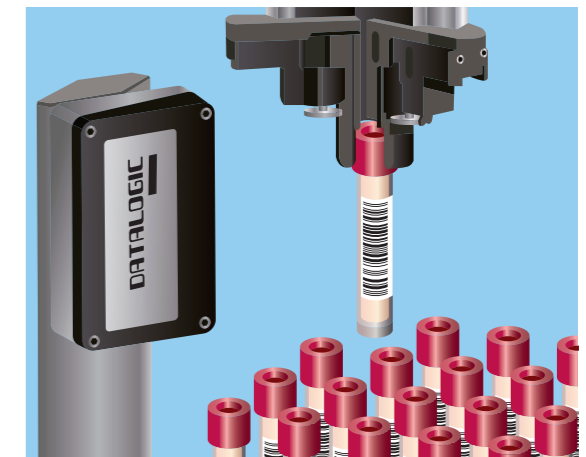
Food Manufacturing
Used for food manufacturing lines to prepare and transport food.



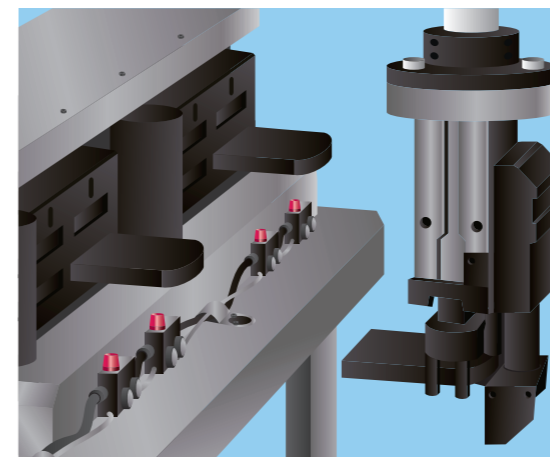
Food
Used for food boxing lines to automatically box ready-packed food being transported on the belt conveyor into boxes.



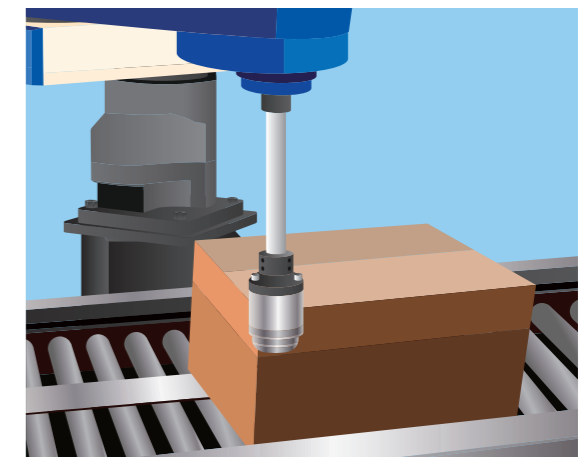
Pharmaceutical and Medical
Used for boxing lines of pharmaceutical and medical products to automatically box finished products being transported on the belt conveyor into boxes.



Medical Examination
Used to automate the processing of a large quantity of specimen samples at medical institutions. Test tubes picked up by the SCARA robot are read by a barcode reader, allowing uniform work and secure repeatability.



Assembling and Inspection
Used to assemble and inspect electronic devices. The SCARA robot has been adopted for manufacturing of precision machines.



Cutting
Used as a cutting device. Cardboard boxes being transported by the conveyor are cut by the cutter attached to the SCARA robot.

Diverse Lineup to Meet Your Application Needs



Model	THL300	THL400
Type	Horizontal multi-joint	Horizontal multi-joint
No. of controlled axes	4	4
Arm length	300mm (125mm+175mm)	400mm (225mm+175mm)
Working envelope		
Axis 1	±125°	±125°
Axis 2	±145°	±145°
Axis 3 (Z axis)	0~160mm	0~160mm
Axis 4 (Z-axis rotation)	±360°	±360°
Maximum speed*1		
Axis 1	660°/s	660°/s
Axis 2	660°/s	660°/s
Axis 3 (Z axis)	1120mm/s	1120mm/s
Axis 4 (Z-axis rotation)	1500°/s	1500°/s
Composite	5.1m/s	6.3m/s
Standard cycle time (with 2 kg load)*2	0.48s	0.47s
Maximum payload mass	5kg (rated: 2 kg)	5kg (rated: 2 kg)
Allowable moment of inertia	0.05kg·m ²	0.05kg·m ²
Positioning repeatability*3		
X-Y	±0.01mm	±0.01mm
Z (Axis 3)	±0.015mm	±0.015mm
Axis θ (Z-axis rotation)	±0.007°	±0.007°
Hand wiring	8 inputs / 8 outputs	8 inputs / 8 outputs
Hand pneumatic joints*4	φ 4 x 3 pcs.	φ 4 x 3 pcs.
Position detection	Absolute	Absolute
Robot controller cable	3.5m	3.5m
Power capacity	0.7kVA	0.7 kVA
Mass	12kg	13kg

Order model code

THL400-Z-C-S

Special design
Optional specifications
Z-axis long stroke
Arm length

With cap : C
With protective bellows : B
Ceiling-mount type : T

Model	THL500	THL600	THL700
Type	Horizontal multi-joint	Horizontal multi-joint	Horizontal multi-joint
No. of controlled axes	4	4	4
Arm length	500mm (200mm+300mm)	600mm (300mm+300mm)	700mm (400mm+300mm)
Working envelope			
Axis 1	±125°	±125°	±125°
Axis 2	±145°	±145°	±145°
Axis 3 (Z axis)	0~150mm	0~150mm	0~150mm
Axis 4 (Z-axis rotation)	±360°	±360°	±360°
Maximum speed*1			
Axis 1	450°/s	450°/s	450°/s
Axis 2	450°/s	450°/s	450°/s
Axis 3 (Z axis)	2000mm/s	2000mm/s	2000mm/s
Axis 4 (Z-axis rotation)	1700°/s	1700°/s	1700°/s
Composite	6.3m/s	7.1m/s	7.9m/s
Standard cycle time (with 2 kg load)*2	0.45s	0.45s	0.50s
Maximum payload mass	10 kg (rated: 2 kg)	10kg (rated: 2 kg)	10kg (rated: 2 kg)
Allowable moment of inertia	0.2kg·m ²	0.2kg·m ²	0.2kg·m ²
Positioning repeatability*3			
X-Y	±0.01mm	±0.01mm	±0.01mm
Z (Axis 3)	±0.015mm	±0.015mm	±0.015mm
Axis θ (Z-axis rotation)	±0.007°	±0.007°	±0.007°
Hand wiring	8 inputs / 8 outputs	8 inputs / 8 outputs	8 inputs / 8 outputs
Hand pneumatic joints*4	φ 6 x 3 pcs.	φ 6 x 3 pcs.	φ 6 x 3 pcs.
Position detection	Absolute	Absolute	Absolute
Robot controller cable	3.5m	3.5m	3.5m
Power capacity	1.4kVA	1.4kVA	1.4kVA
Mass	22kg	23kg	24kg

Model	THL800	THL900	THL1000
Type	Horizontal multi-joint	Horizontal multi-joint	Horizontal multi-joint
No. of controlled axes	4	4	4
Arm length	800mm (350mm+450mm)	900mm (450mm+450mm)	1000mm (550mm+450mm)
Working envelope			
Axis 1	±125°	±125°	±125°
Axis 2	±145°	±145°	±145°
Axis 3 (Z axis)	0~300mm	0~300mm	0~300mm
Axis 4 (Z-axis rotation)	±360°	±360°	±360°
Maximum speed*1			
Axis 1	187.5°/s	187.5°/s	187.5°/s
Axis 2	217.5°/s	217.5°/s	217.5°/s
Axis 3 (Z axis)	2000mm/s	2000mm/s	2000mm/s
Axis 4 (Z-axis rotation)	1700°/s	1700°/s	1700°/s
Composite	4.3m/s	4.6m/s	5.0m/s
Standard cycle time (with 2 kg load)*2	0.47s	0.48s	0.48s
Maximum payload mass	10kg (rated: 2 kg)	10kg (rated: 2 kg)	10kg (rated: 2 kg)
Allowable moment of inertia	0.2kg·m ²	0.2kg·m ²	0.2kg·m ²
Positioning repeatability*3			
X-Y	±0.02mm	±0.02mm	±0.02mm
Z (Axis 3)	±0.015mm	±0.015mm	±0.015mm
Axis θ (Z-axis rotation)	±0.007°	±0.007°	±0.007°
Hand wiring	8 inputs / 8 outputs	8 inputs / 8 outputs	8 inputs / 8 outputs
Hand pneumatic joints*4	φ 6 x 3 pcs.	φ 6 x 3 pcs.	φ 6 x 3 pcs.
Position detection	Absolute	Absolute	Absolute
Robot controller cable	3.5m	3.5m	3.5m
Power capacity	1.4kVA	1.4kVA	1.4kVA
Mass	33kg	35kg	37kg

*1: Acceleration/deceleration rates may be limited according to the motion pattern, load mass and amount of offset.

*2: Horizontal 300 mm, vertical 25 mm, round-trip. Continuous operation is not possible beyond the effective load ratio.

*3: When the environmental temperature is constant 20°C. Positioning repeatability accuracy in one-direction movement. Not absolute positioning accuracy.

*4: Pneumatic joints are provided on the base. Please refer to the drawings for the details of the pneumatic joints. Pipes are to be provided by the customers.

TSL3000 Controller

- 4-axis control specification
- Space saving and lightweight compared to the TS controllers for the TH-A Series.
- Ethernet is equipped as standard, and expansions of I/O and various networks are supported.
- The controller's operation status is indicated by LED display.
- Programs can be backed up easily to USB memory.

TSL3000

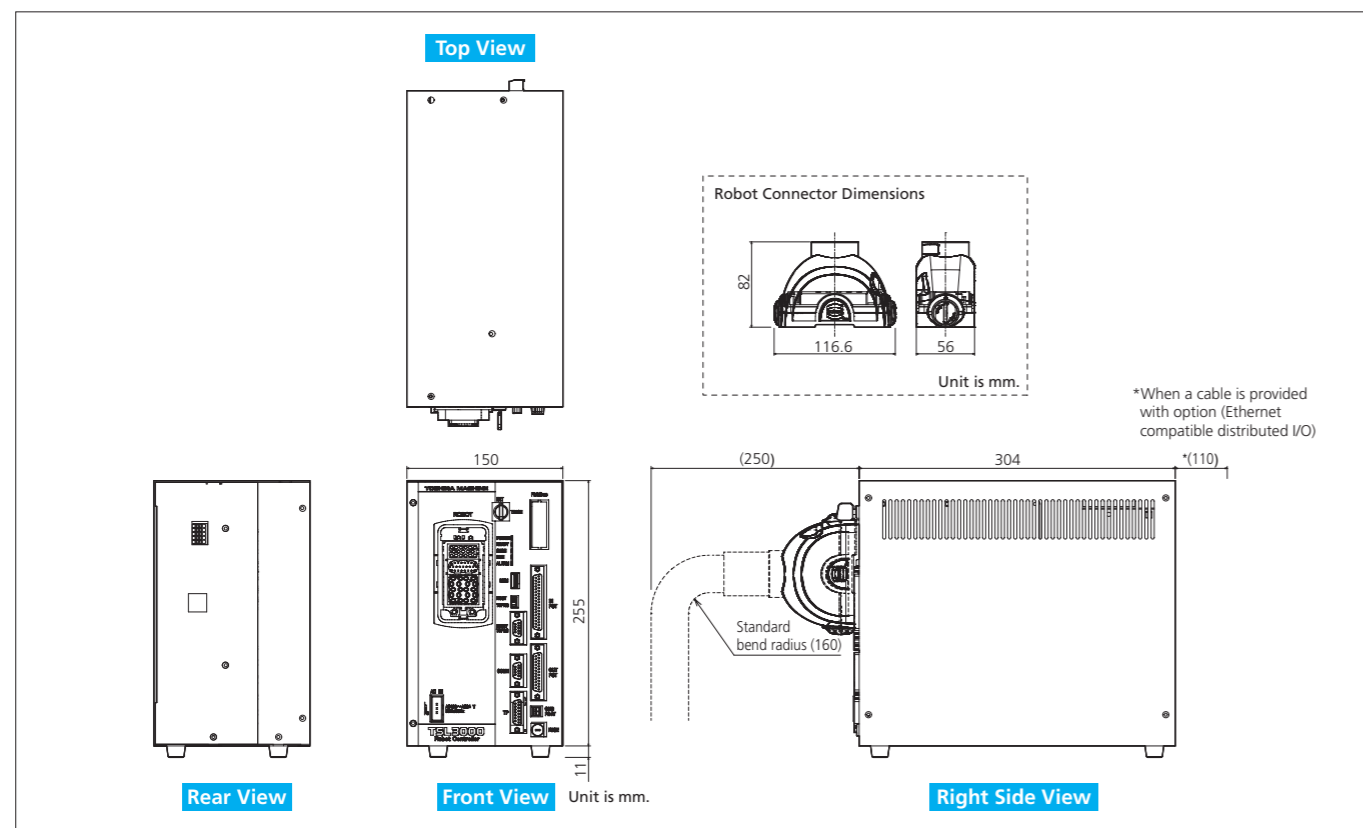


Teaching Pendant (Option) TP1000

Model	TSL3000
No. of Control Axes	Maximum 4 axes
Motion Modes	PTP, CP(Continuous Path ; Linear, Circular), Short-Cut, Arch Motion
Storage Capacity	Approx. Total: 6400 point + 12800 steps 1 program : 2000 point + 3000 steps
No. of Registrable Programs	Maximum 256
Programming Language	SCOL(similar to BASIC)
Teaching Unit (Option)	Teach pendant TP1000 (Cable length 5m, 3-point enable switch)
External I/O Signals	8 inputs / 8 outputs(plus or minus common selectable)
Hand Control Signals	8 input points/8 output points
External Operation Signals	Input : cycle operation mode, start, stop. (13 signals) output : Servo ON, emergency stop, etc. (10 signals)
Serial Communication Port	RS232C: 2 ports
Other Functions	Torque control, Interruptive functions, self-diagnosis, I/O control and communications during motion, Coordinate calculations, Built-in PLC, etc.
Power Supply	Single phase AC190~240V , 50/60Hz(±1Hz)
Outer Dimensions and Mass	150 (W) x 266 (H) x 304 (D) [mm], 7kg
PC Software for Programming Support (Option)	TSPC : Program editor, teaching, remote operation, etc.
Option	I/O extension, Field-network (CC-Link, Devise-Net, PROFIBUS) *5

*5: CC-Link is a registered trademark of CC-Link Partner Association.
DeviceNet is registered trademark of ODVA.
PROFIBUS is a registered trademark of Profibus User Organization.

External view



High-Performance Teach Pendant TP3000 (Option)

New sensation. Equipped with graphic operation keys.
This teaching pendant has both high visibility and superb operability.

TP3000



*This product is an optional product.



Color LCD Display



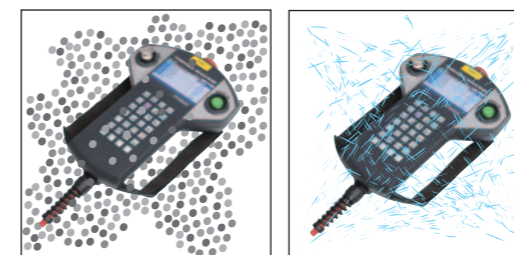
● Employs a highly visible clear color LCD display

By employing a color LCD display, expressiveness has been improved remarkably in comparison to the existing teach pendant (TP1000).

● Equipped with a word association function

Word input candidates are displayed according to the character(s) input by the user. Reserved words can be input more quickly than the conventional teach pendant (TP1000).

● Supports IP65



*These pictures show images, not actual product appearances.

Note: The controller's main unit and the periphery of the connector do not support IP.

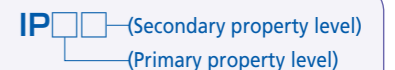
● Equipped with graphic operation keys

The keyboard display changes dynamically according to the screen display. Because the required keys are displayed at the required time, the TP3000 reduces the cumbersomeness of key input conventionally required for small teaching pendants.

● Outlining function

The TP3000 displays the main program, subprograms, and labels in the SCOL program hierarchically, enabling quick verification of the program configuration.

What is IP65?



IP (International Protection) refers to a protection level against external solids (rubbish and dust) and water. The primary property level indicates the details of protection against external solids (rubbish and dust). Level "6" refers to "dust-proof type", which means "dust particles do not enter inside." The secondary property level indicates the details of protection against water. Level "5" refers to "protection against jet stream water", which means "not adversely affected by direct jet stream of water from any direction".

SCARA ROBOT THL300



Model	THL300
Type	Horizontal multi-joint
No. of controlled axes	4
Arm length	300mm (125mm+175mm)
Working envelope	Axis 1 ±125° Axis 2 ±145° Axis 3 (Z axis) 0~160mm Axis 4 (Z-axis rotation) ±360°
Maximum speed*1	Axis 1 660°/s Axis 2 660°/s Axis 3 (Z axis) 1120mm/s Axis 4 (Z-axis rotation) 1500°/s Composite 5.1m/s
Standard cycle time (with 2 kg load)*2	0.48s
Maximum payload mass	5kg (rated: 2kg)
Allowable moment of inertia	0.05kg·m ²
Positioning repeatability*3	X-Y ±0.01mm Z (Axis 3) ±0.015mm Axis θ (Z-axis rotation) ±0.007°
Hand wiring	8 inputs / 8 outputs
Hand pneumatic joints*4	φ4 x 3 pcs.
Position detection	Absolute
Robot controller cable	3.5m
Power capacity	0.7kVA
Mass	12kg

■For *1 to *4, please see page 5.

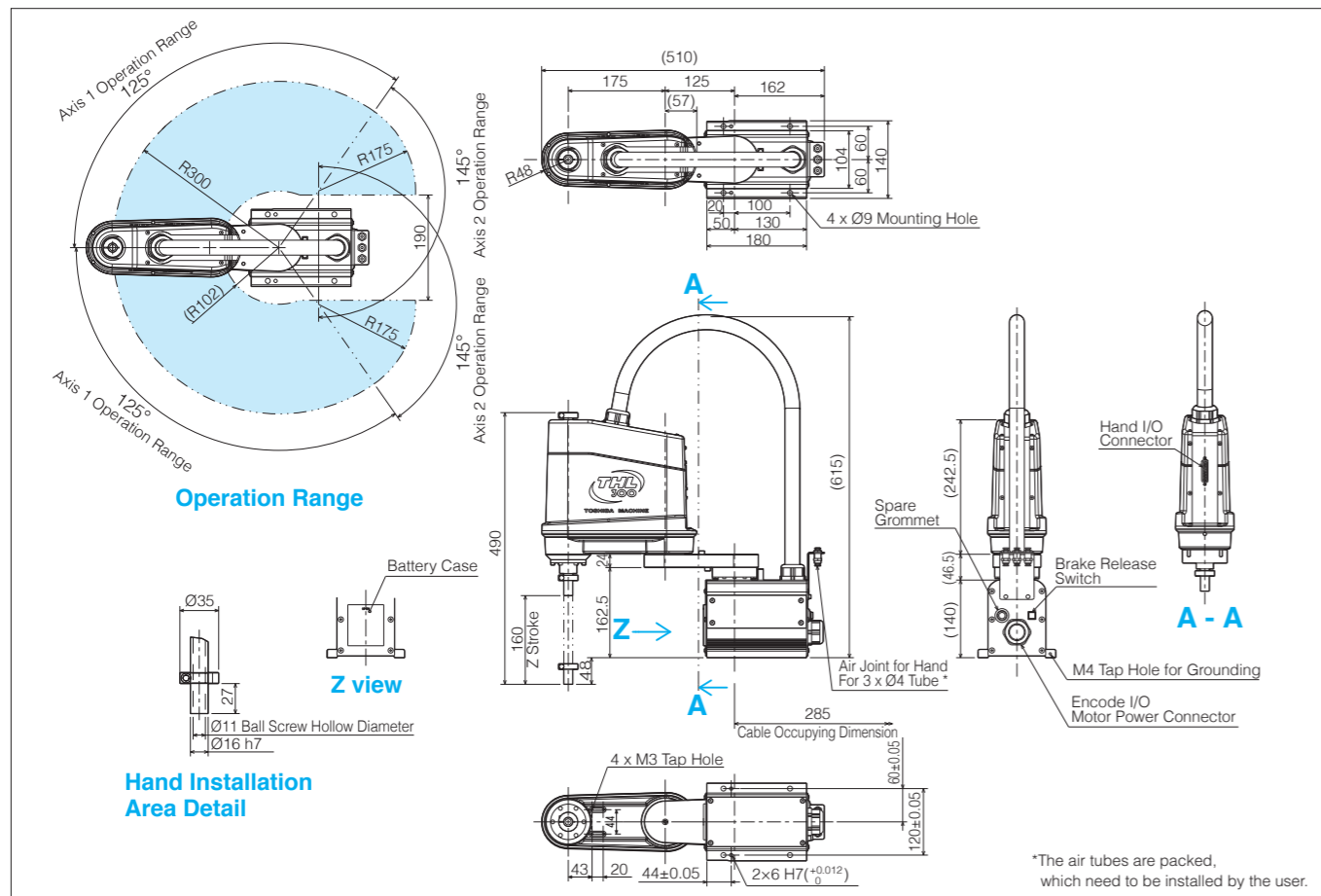
SCARA ROBOT THL400



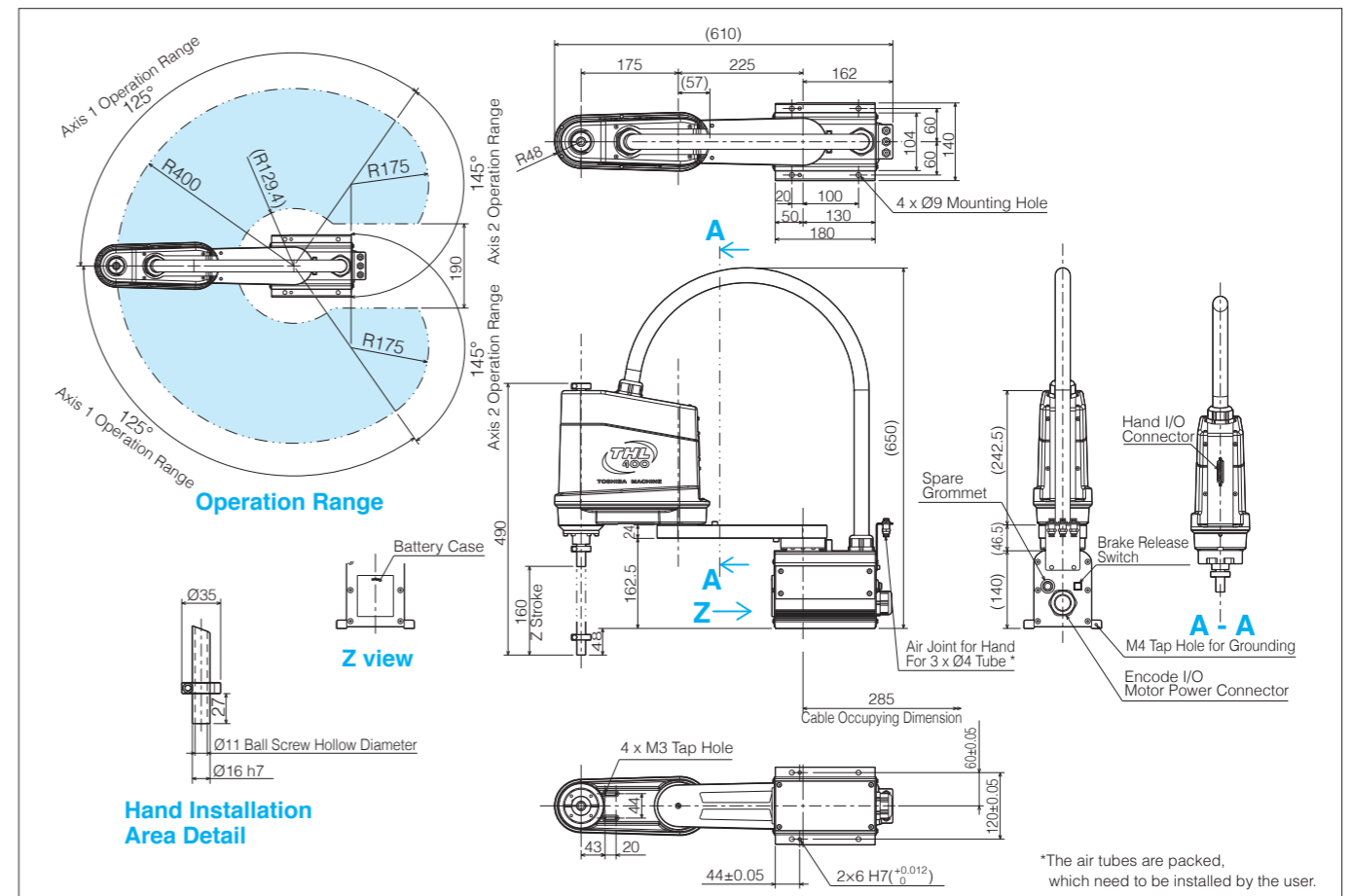
Model	THL400
Type	Horizontal multi-joint
No. of controlled axes	4
Arm length	400mm (225mm+175mm)
Working envelope	Axis 1 ±125° Axis 2 ±145° Axis 3 (Z axis) 0~160mm Axis 4 (Z-axis rotation) ±360°
Maximum speed*1	Axis 1 660°/s Axis 2 660°/s Axis 3 (Z axis) 1120mm/s Axis 4 (Z-axis rotation) 1500°/s Composite 6.3m/s
Standard cycle time (with 2 kg load)*2	0.47s
Maximum payload mass	5kg (rated: 2kg)
Allowable moment of inertia	0.05kg·m ²
Positioning repeatability*3	X-Y ±0.01mm Z (Axis 3) ±0.015mm Axis θ (Z-axis rotation) ±0.007°
Hand wiring	8 inputs / 8 outputs
Hand pneumatic joints*4	φ4 x 3 pcs.
Position detection	Absolute
Robot controller cable	3.5m
Power capacity	0.7kVA
Mass	13kg

■For *1 to *4, please see page 5.

External view



External view



SCARA ROBOT THL500



Model	THL500
Type	Horizontal multi-joint
No. of controlled axes	4
Arm length	500mm (200mm+300mm)
Working envelope	Axis 1 ±125° Axis 2 ±145° Axis 3 (Z axis) 0~150mm Axis 4 (Z-axis rotation) ±360°
Maximum speed*1	Axis 1 450°/s Axis 2 450°/s Axis 3 (Z axis) 2000mm/s Axis 4 (Z-axis rotation) 1700°/s Composite 6.3m/s
Standard cycle time (with 2 kg load)*2	0.45s
Maximum payload mass	10kg (rated: 2kg)
Allowable moment of inertia	0.2kg·m ²
Positioning repeatability*3	X-Y ±0.01mm Z (Axis 3) ±0.015mm Axis θ (Z-axis rotation) ±0.007°
Hand wiring	8 inputs / 8 outputs
Hand pneumatic joints*4	φ6 x 3 pcs.
Position detection	Absolute
Robot controller cable	3.5m
Power capacity	1.4kVA
Mass	22kg

■For *1 to *4, please see page 5.

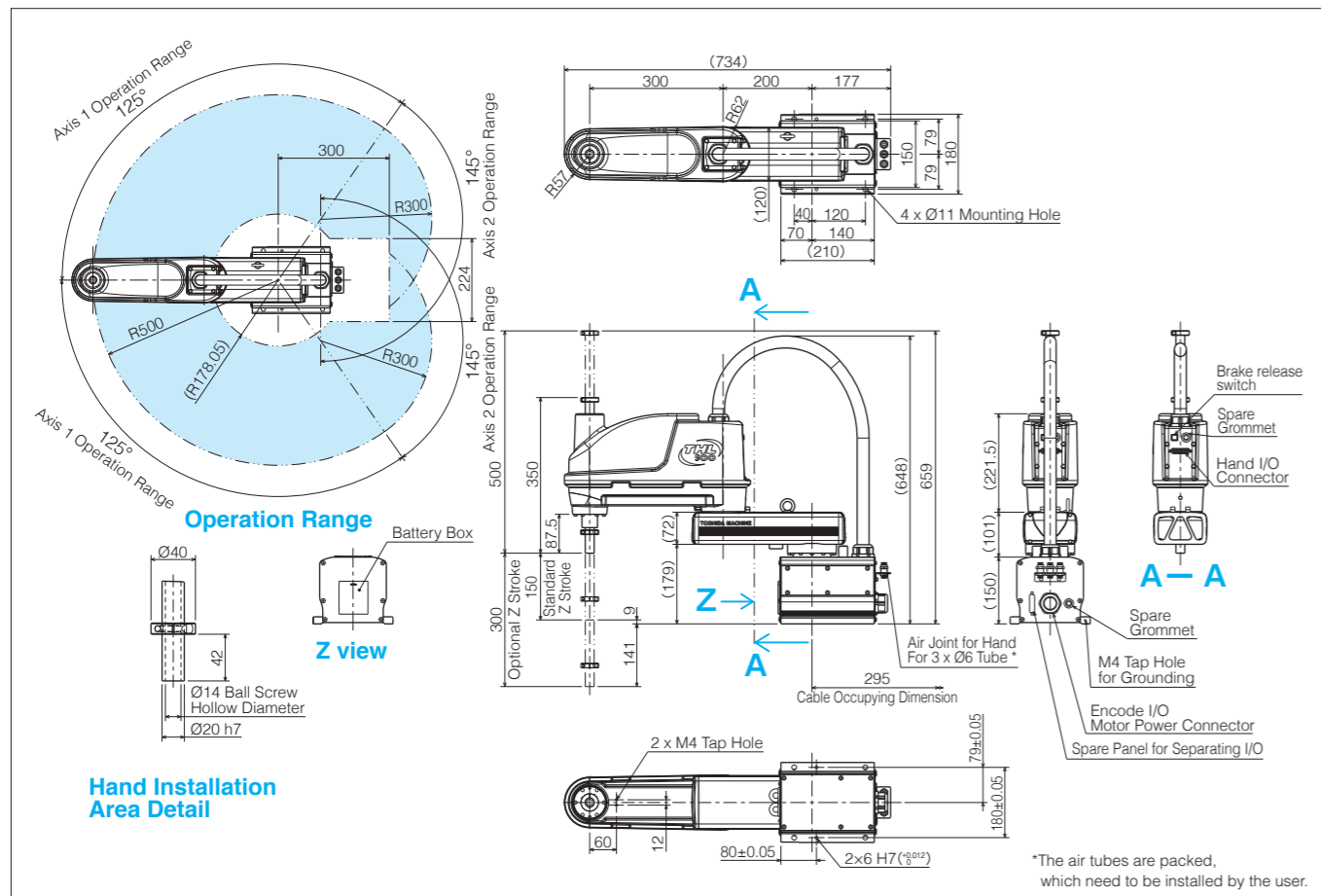
SCARA ROBOT THL600



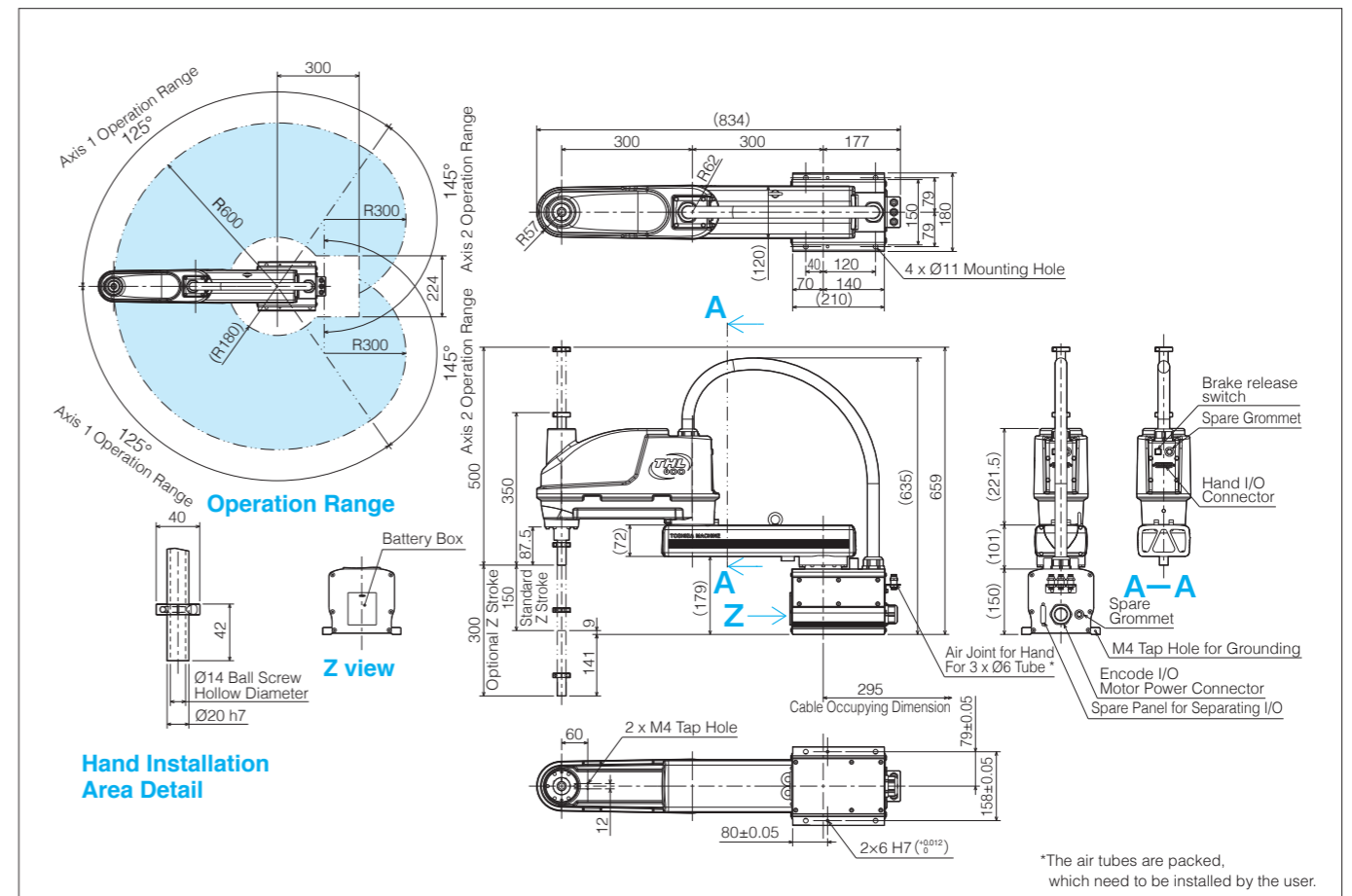
Model	THL600
Type	Horizontal multi-joint
No. of controlled axes	4
Arm length	600mm (300mm+300mm)
Working envelope	Axis 1 ±125° Axis 2 ±145° Axis 3 (Z axis) 0~150mm Axis 4 (Z-axis rotation) ±360°
Maximum speed*1	Axis 1 450°/s Axis 2 450°/s Axis 3 (Z axis) 2000mm/s Axis 4 (Z-axis rotation) 1700°/s Composite 7.1m/s
Standard cycle time (with 2 kg load)*2	0.45s
Maximum payload mass	10kg (rated: 2kg)
Allowable moment of inertia	0.2kg·m ²
Positioning repeatability*3	X-Y ±0.01mm Z (Axis 3) ±0.015mm Axis θ (Z-axis rotation) ±0.007°
Hand wiring	8 inputs / 8 outputs
Hand pneumatic joints*4	φ6 x 3 pcs.
Position detection	Absolute
Robot controller cable	3.5m
Power capacity	1.4kVA
Mass	23kg

■For *1 to *4, please see page 5.

External view



External view



Introduction to the THL Series

THL Series Model Configuration

Controller Teach Pendant

THL Series Detailed Specifications

Options and Others

Introduction to the THL Series

THL Series Model Configuration

Controller Teach Pendant

THL Series Detailed Specifications

Options and Others

SCARA ROBOT THL700



Model		THL700
Type	Horizontal multi-joint	
No. of controlled axes	4	
Arm length	700mm (400mm+300mm)	
Working envelope	Axis 1	±125°
	Axis 2	±145°
	Axis 3 (Z axis)	0~150mm
	Axis 4 (Z-axis rotation)	±360°
Maximum speed*1	Axis 1	450°/s
	Axis 2	450°/s
	Axis 3 (Z axis)	2000mm/s
	Axis 4 (Z-axis rotation)	1700°/s
	Composite	7.9m/s
Standard cycle time (with 2 kg load)*2	0.50s	
Maximum payload mass	10kg (rated: 2kg)	
Allowable moment of inertia	0.2kg·m ²	
Positioning repeatability*3	X-Y	±0.01mm
	Z (Axis 3)	±0.015mm
	Axis θ (Z-axis rotation)	±0.007°
Hand wiring	8 inputs / 8 outputs	
Hand pneumatic joints*4	φ6 x 3 pcs.	
Position detection	Absolute	
Robot controller cable	3.5m	
Power capacity	1.4kVA	
Mass	24kg	

■For *1 to *4, please see page 5.

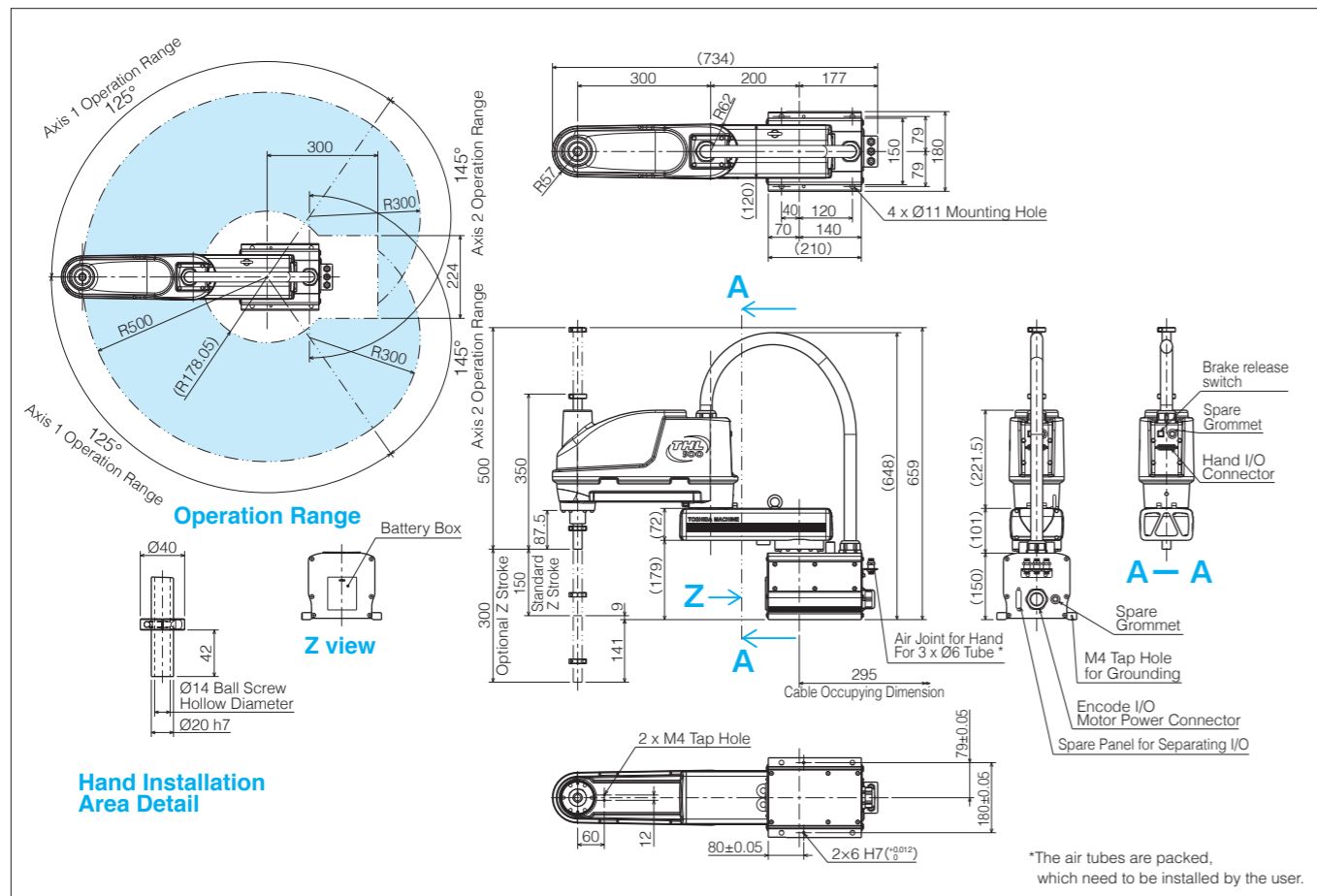
SCARA ROBOT THL800



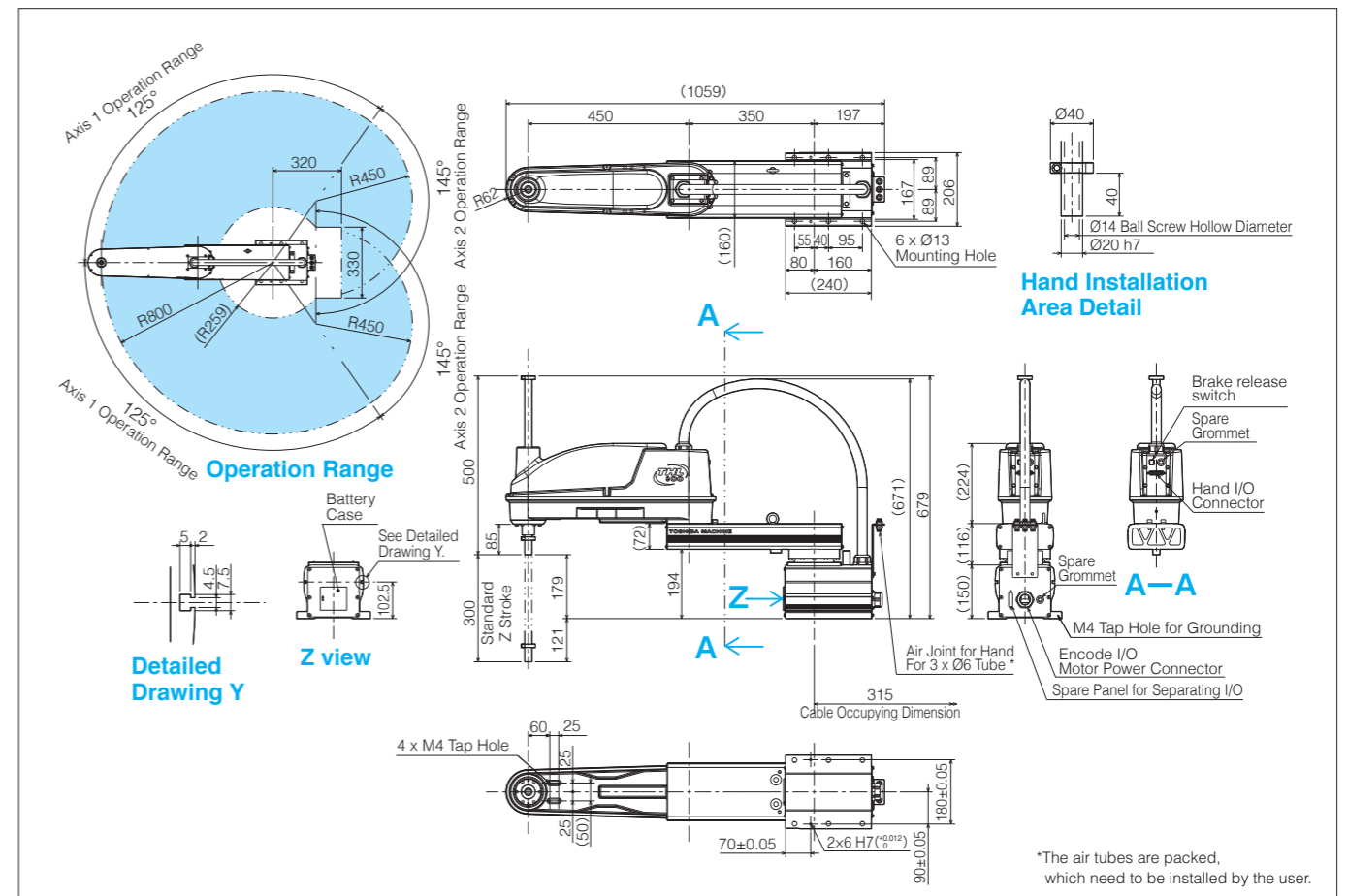
Model		THL800
Type	Horizontal multi-joint	
No. of controlled axes	4	
Arm length	800mm (350mm+450mm)	
Working envelope	Axis 1	±125°
	Axis 2	±145°
	Axis 3 (Z axis)	0~300mm
	Axis 4 (Z-axis rotation)	±360°
Maximum speed*1	Axis 1	187.5°/s
	Axis 2	217.5°/s
	Axis 3 (Z axis)	2000mm/s
	Axis 4 (Z-axis rotation)	1700°/s
	Composite	4.3m/s
Standard cycle time (with 2 kg load)*2	0.47s	
Maximum payload mass	10kg (rated: 2kg)	
Allowable moment of inertia	0.2kg·m ²	
Positioning repeatability*3	X-Y	±0.02mm
	Z (Axis 3)	±0.015mm
	Axis θ (Z-axis rotation)	±0.007°
Hand wiring	8 inputs / 8 outputs	
Hand pneumatic joints*4	φ6 x 3 pcs.	
Position detection	Absolute	
Robot controller cable	3.5m	
Power capacity	1.4kVA	
Mass	33kg	

■For *1 to *4, please see page 5.

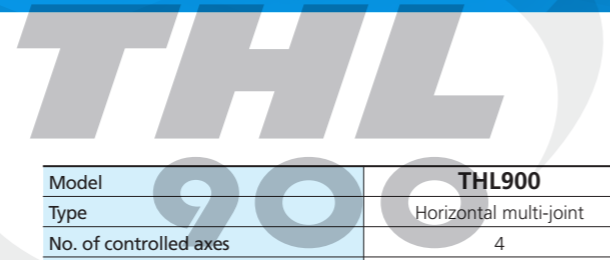
External view



External view



SCARA ROBOT THL900



Model	THL900
Type	Horizontal multi-joint
No. of controlled axes	4
Arm length	900mm (450mm+450mm)
Working envelope	Axis 1 ±125° Axis 2 ±145° Axis 3 (Z axis) 0~300mm Axis 4 (Z-axis rotation) ±360°
Maximum speed*1	Axis 1 187.5°/s Axis 2 217.5°/s Axis 3 (Z axis) 2000mm/s Axis 4 (Z-axis rotation) 1700°/s Composite 4.6m/s
Standard cycle time (with 2 kg load)*2	0.48s
Maximum payload mass	10kg (rated: 2kg)
Allowable moment of inertia	0.2kg·m ²
Positioning repeatability*3	X-Y ±0.02mm Z (Axis 3) ±0.015mm Axis θ (Z-axis rotation) ±0.007°
Hand wiring	8 inputs / 8 outputs
Hand pneumatic joints*4	φ6 x 3 pcs.
Position detection	Absolute
Robot controller cable	3.5m
Power capacity	1.4kVA
Mass	35kg

■For *1 to *4, please see page 5.

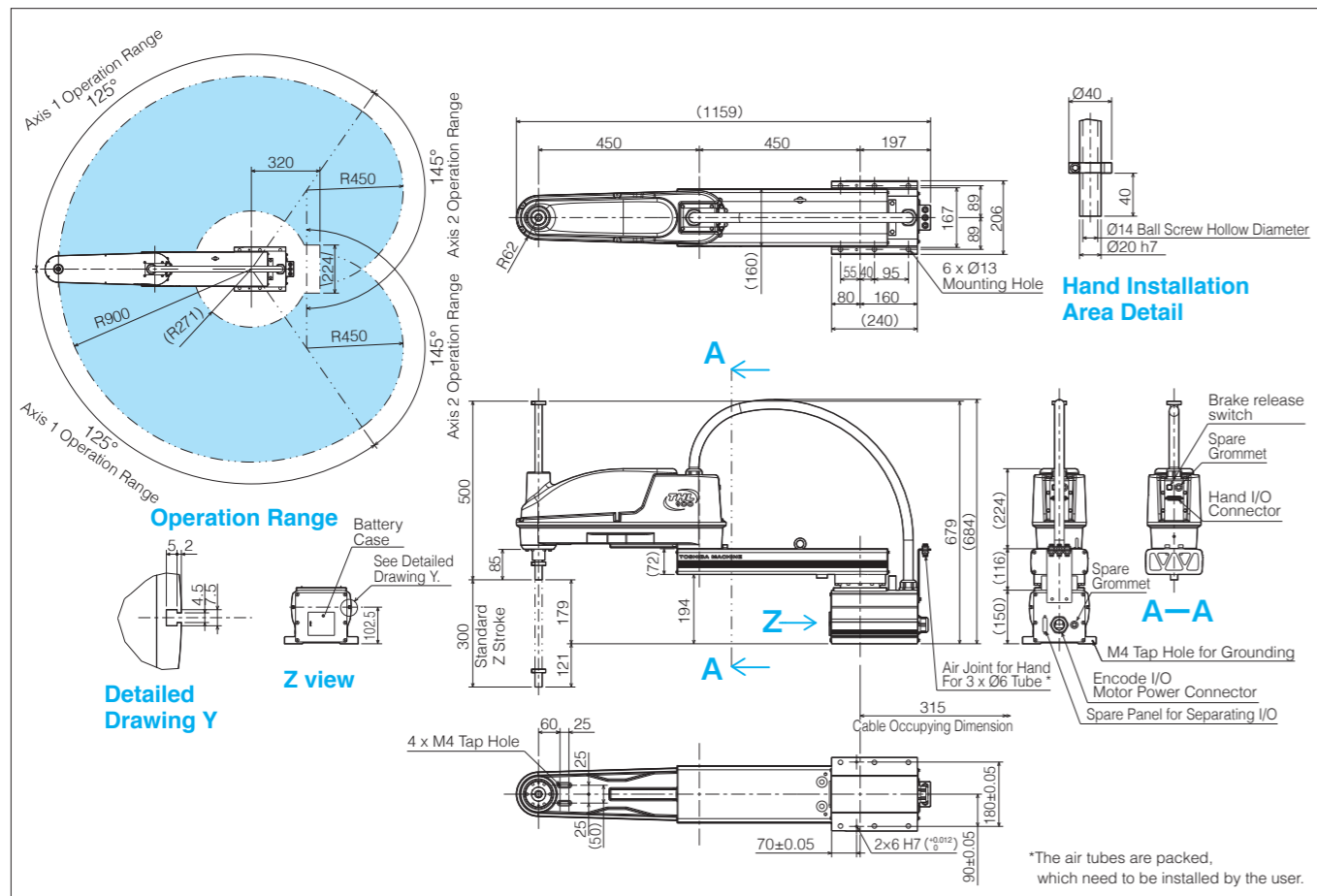
SCARA ROBOT THL1000



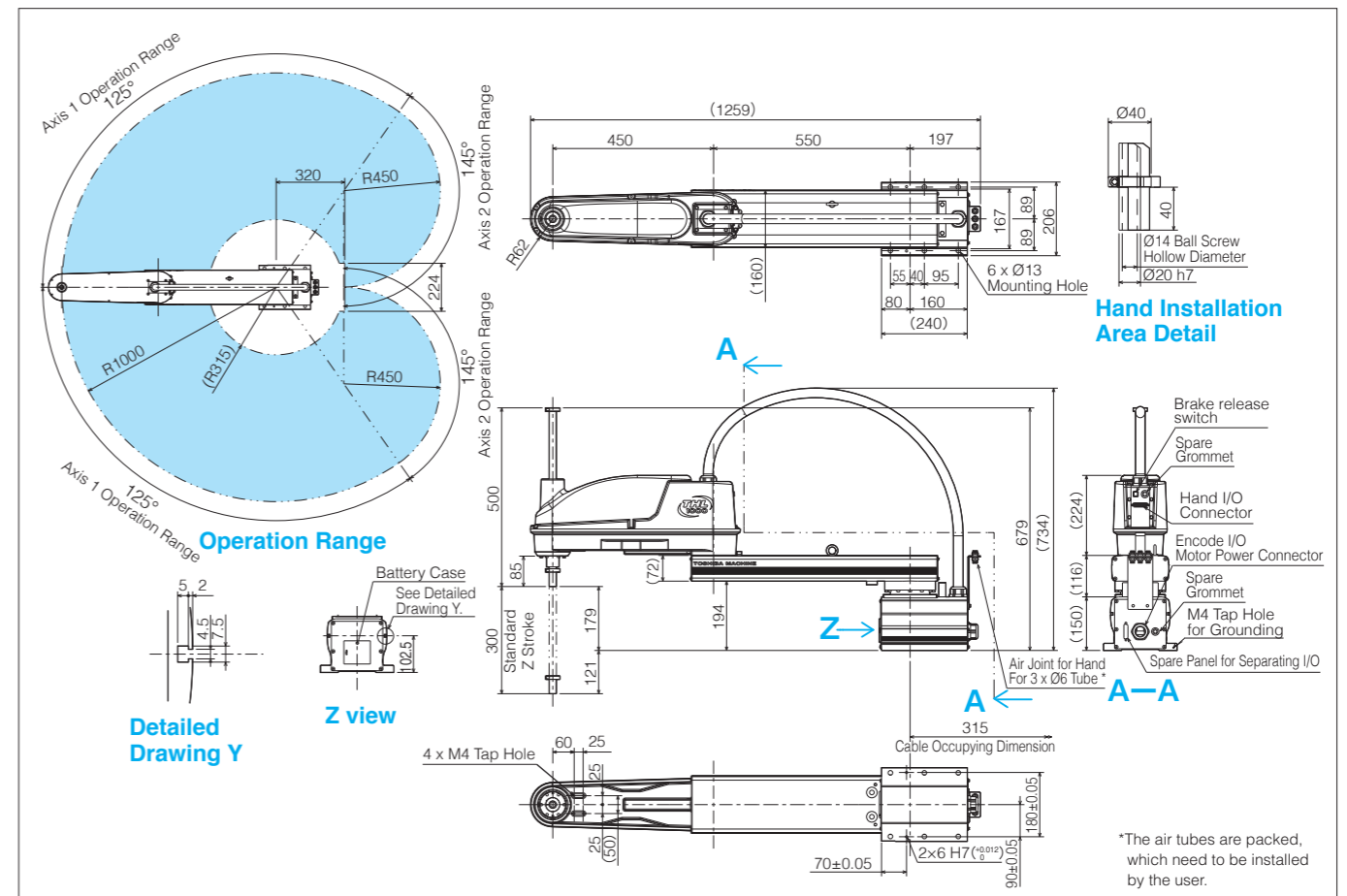
Model	THL1000
Type	Horizontal multi-joint
No. of controlled axes	4
Arm length	1000mm (550mm+450mm)
Working envelope	Axis 1 ±125° Axis 2 ±145° Axis 3 (Z axis) 0~300mm Axis 4 (Z-axis rotation) ±360°
Maximum speed*1	Axis 1 187.5°/s Axis 2 217.5°/s Axis 3 (Z axis) 2000mm/s Axis 4 (Z-axis rotation) 1700°/s Composite 5.0m/s
Standard cycle time (with 2 kg load)*2	0.48s
Maximum payload mass	10kg (rated: 2kg)
Allowable moment of inertia	0.2kg·m ²
Positioning repeatability*3	X-Y ±0.02mm Z (Axis 3) ±0.015mm Axis θ (Z-axis rotation) ±0.007°
Hand wiring	8 inputs / 8 outputs
Hand pneumatic joints*4	φ6 x 3 pcs.
Position detection	Absolute
Robot controller cable	3.5m
Power capacity	1.4kVA
Mass	37kg

■For *1 to *4, please see page 5.

External view



External view



These functional optional specifications are designed with consideration for applications, environment, and system-layout requirements.

Z-Axis Long Stroke (-Z)

Compatible Models: THL500, THL600, THL700

- The Z-axis stroke range is extended.
- Useful in an application with large up-down movements and handling of long workpieces.
- (Note: If a stroke other than the above is desired, please contact us.)

Protective Belliows for Z-Axis (-B)

Compatible Models: THL500, THL600, THL700

- Protection of the Z-axis shaft lower side in an environment where liquid or chips may scatter.
- (Note: The cycle time and Z-axis stroke differ from the standard specifications. Please contact us for details.)



Z-Axis Cap (-C)

Compatible Models: THL500, THL600, THL700

- Protection of the Z-axis shaft upper side in an environment where liquid or chips may scatter. It also prevents intrusion and jamming by cables and other peripheral items.



Ceiling-mount type (-T)

Compatible Models: THL400, THL500, THL600, THL700

- To enable more freedom in system layout and effective use of a space, the robot is suspended from the upper side of the working area.
- (Note: The working envelopes differ from the standard-type robots. Please contact us for details.)



Optional Cables Length

- In all models of the THL Series SCARA robots, the length of the cable between a SCARA robot and its controller can be extended to a maximum of 15m.

Support of Safety Category 3

Compatible Models: THL300, THL400, THL500, THL600, THL700

- The models can be equipped with optional unit TS3FB and by adding necessary safety design, thus conform to the safety category 3 that is required in the ANSI and CE marking.
- *This option is supported when the TS3000 controller is used.

Tool Flange for End Effectors Mounting

- Tool flange for securing the robot's hand is available.
- This optional product can be used in all models of the THL Series.
- *The photo right shows the hand mounting tool flange for the THL500 to THL1000 SCARA robots. The shape of the hand mounting tool flange for the THL300 and THL400 SCARA robots is different from the photo right.



Additional 5th Axis (Traveling axis, Wrist axis, etc.)

Compatible Models: THL500, THL600, THL700

- 5th axis can be added for such usage as wrist axis for workpiece flip-over or moving the robot on a traverse axis.
- *This option is supported when the TS3000 controller is used.

Corresponding Option Table

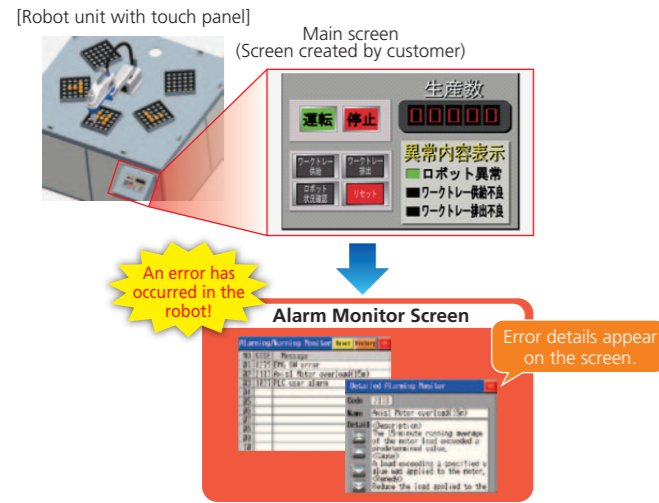
The following shows a convenient corresponding option table. More options will continuously be supported!!

Option Model Name	Z-Axis Long Stroke (-Z)	Protective Belliows for Z-Axis (-B)	Z-Axis Cap (-C)	Ceiling-mount type (-T)	Safety Category 3	Cable Extension (Max)	Dust and Splash-Proof (-IP)	Tool Flange for End Effectors Mounting	Additional 5th Axis (Traveling axis, Wrist axis, etc.)	Cleanroom Design (-CR, -CRB)
THL300	△	△	△	×	△	15m	×	○	△	×
THL400	△	△	△	○	△	15m	×	○	△	×
THL500	○(300mm)	○	○	○	○	15m	×	○	○(Note)	×
THL600	○(300mm)	○	○	○	○	15m	×	○	○(Note)	×
THL700	○(300mm)	○	○	○	○	15m	×	○	○(Note)	×
THL800	△	△	△	△	△	15m	×	○	△	×
THL900	△	△	△	△	△	15m	×	○	△	×
THL1000	△	△	△	△	△	15m	×	○	△	×

- : Can be supported.
 - △: Please contact us.
 - ×: When this option is selected, the TH-A Series is recommended.
- (Note): Cannot be added as a wrist axis, but can be added as a travelling axis.

Functions and Applications

Support for Connection Device Samples



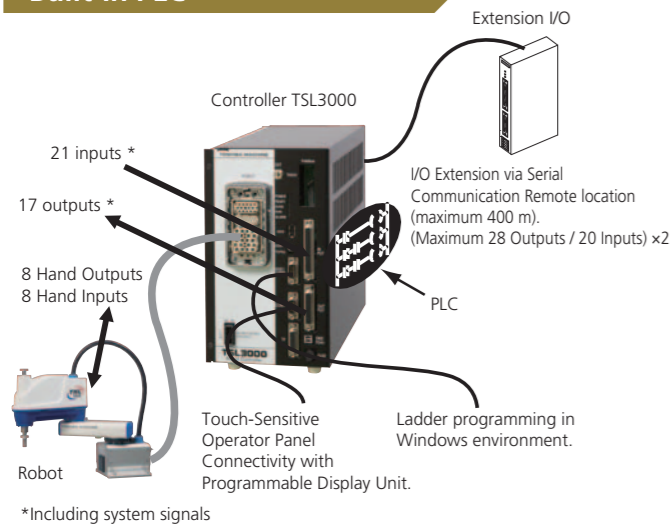
Connection Device Samples is a collaborative system between Toshiba Machine Co., Ltd. and Digital Electronics Corporation. It enables users to check the status of the robot on the touch panel display device.

[Features and advantages]

- When an error occurs in the robot, the error information or details can be checked on the Alarm Monitor Screen (see the left figure).
- Additionally, various other screens for functions including Robot I/O Monitor, Current Position Monitor, I/O Time Chart and Connected Device Data Transfer are provided.
- The above robot screens can be downloaded from the website of Digital Electronics Corporation free of charge. There is no need to create these screens and they can be used immediately after product purchase. http://www.pro-face.co.jp/otasuke/sample/download/common/connection_robot_con_ts_j.html
- The status of the robot can be checked even by people who cannot operate the teach pendant.
- Because the information about both the robot and the system is displayed on the same display device, troubleshooting is much easier.

*For product information about the touch panel that is compatible with this system, please contact Digital Electronics Corporation. http://www.pro-face.com/otasuke/sample/detail/common/connection_robot_con_ts_e.html

Built-In PLC

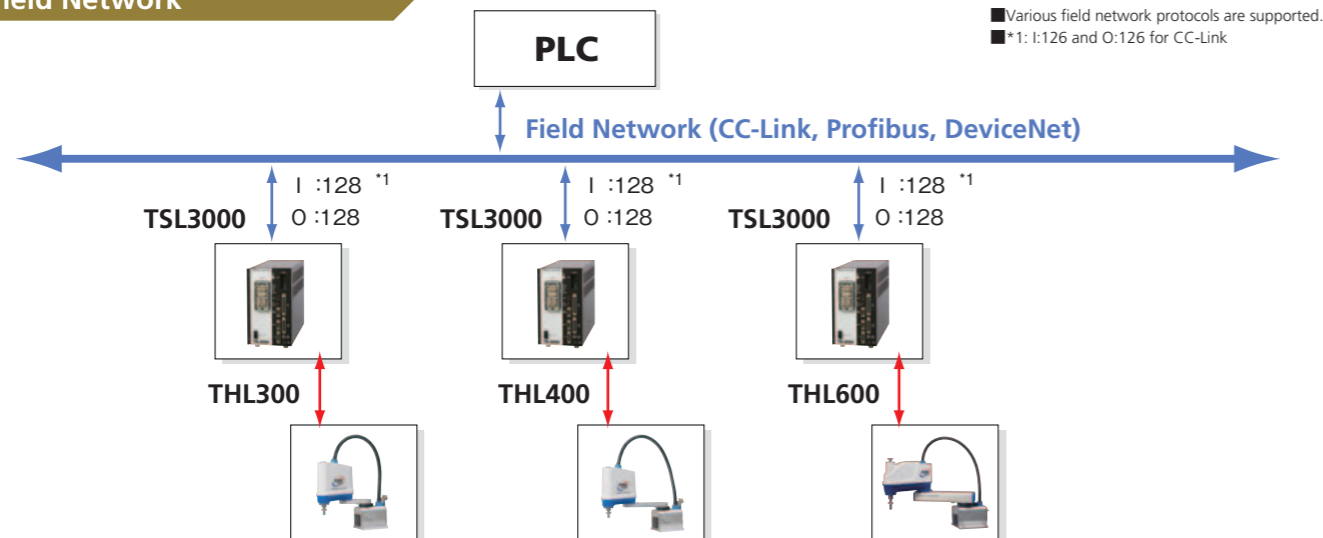


The TSL3000 controller has a built-in simplified sequencer (TCmini). Input and output signals can be handled by ladder-style programming logic, independent from robot motion.

[Features and advantages]

- TCmini controls input/output signals of standard I/O, extension I/O and touch-sensitive panel by ladder program and exchanges data with robot program.
- Thus, flexible system design and control of peripheral equipment is possible without the added cost of an outside host PLC.
- Creation, monitoring and debugging of ladder-logic programming with powerful programming support software TPCRGOS-W (optional).
- The scan time is 5ms per 1 K-Word (TSL3000). Connection is possible with various programmable controllers and display units etc.

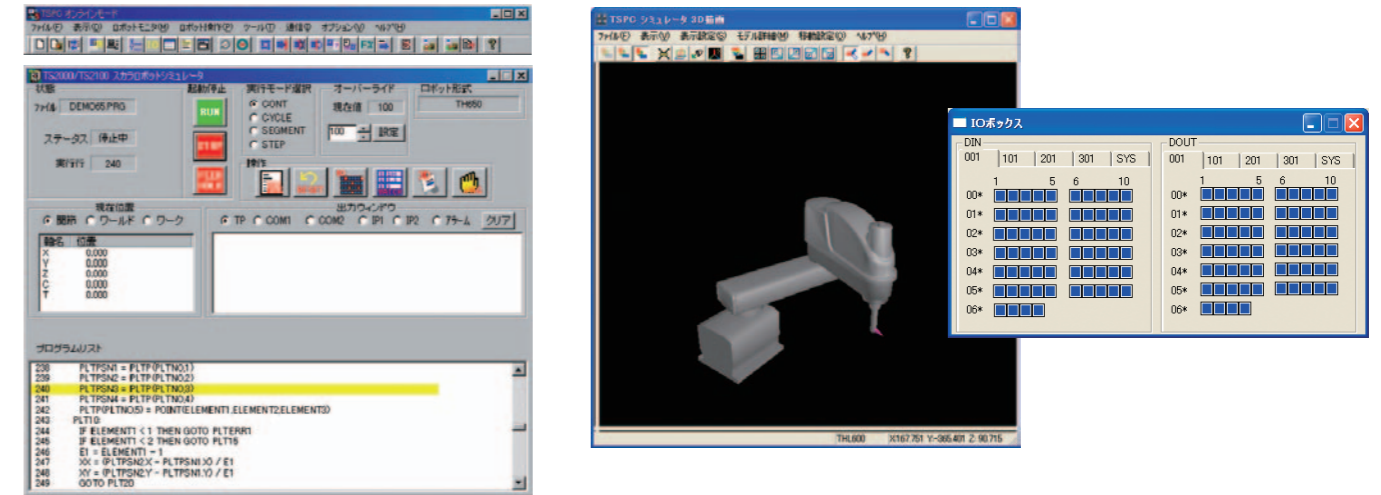
Field Network



PC Software for Programming Support

The following PC software tools are provided to shorten the time and increase the efficiency of system designing and installation work.

● TSPC: For robot programming



1. Powerful Simulation Function:

Off-line robot program creation and simulation, with simulated I/O. Lead time up to the start of robot operation can be shortened. Robot programs can be pre-checked without stopping the production line.

2. User-friendly programming environment:

Extensive help information, powerful grammar check, direct, online editing of programs in the controller memory.

3. Multi-functional monitor and support:

Monitoring functions such as active program display, position display, motion status monitor by 3D model, and alarm history display. Operation from on-screen operation panel. Connection via Ethernet (optional) is also supported.

● TS LayOut: For cycle-time and lay-out review

1. Instant cycle time estimation:

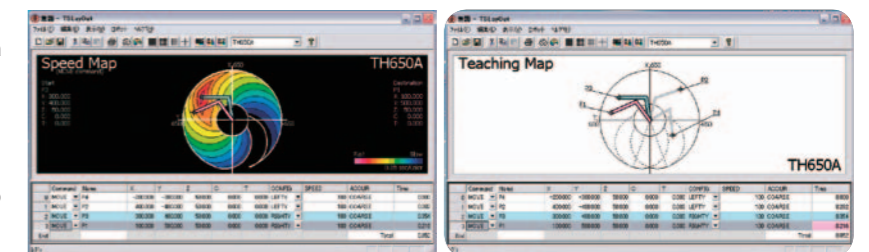
Cycle time is calculated just by pointing at a position, without using the programming language.

2. Guidance for high-speed motions:

Coloured speed map display indicates fast-motion areas from a given start position, guiding you to make the best system layout.

3. Conversion to robot program:

Input positions data can be converted to a robot program just by one click on a menu.



● TPCRGOS: For programming the built-in PLC

1. Ladder-style logic programming for the built-in PLC.

In addition to program creation, on-line monitoring of ladder program and I/O status help reduce development and debugging time.

3. Extensive functions such as address map display, comment display and search functions are provided.

